

semi-recessed
mondana



Design: Hartmut S. Engel and RZB

features

Decorative semi-recessed luminaire with round opal diffuser, may be mounted in ceiling or wall.

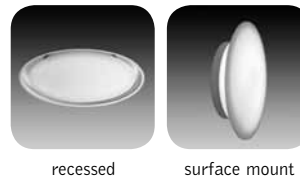
Available in 22" and 17" diameters. All luminaires are ADA compliant.

IP 65 rated. Clear silicone o-ring seal keeps bugs and dust out of diffuser to ensure shadow free illumination. Housings designed for both IC and non-IC rated ceilings.

Optical cavity creates uniform halo of light around housing providing a distinct visual presence.

Mondana is ideally suited for corporate, hospitality or medical applications that require a luminaire with a contemporary design and clean visual appearance.

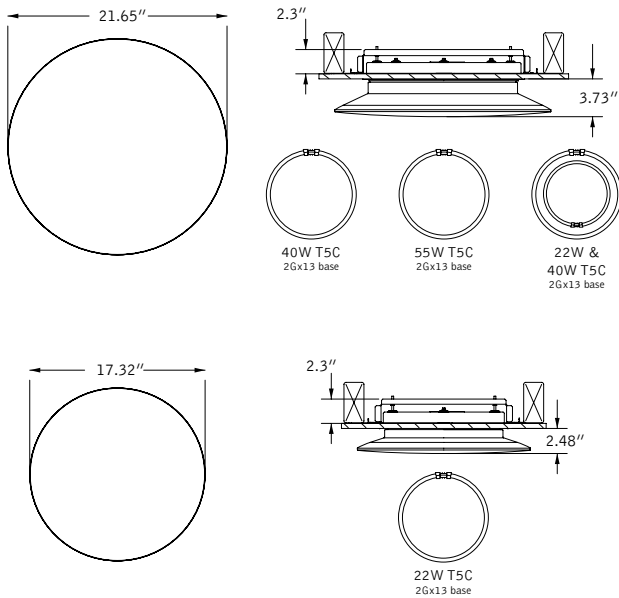
companion luminaires



recessed

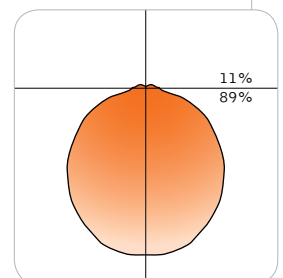
surface mount

dimensional data



performance

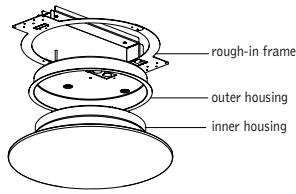
17" Diameter
1-Lamp 22W T5 Circular
62% Efficiency
323 cd @ 0°



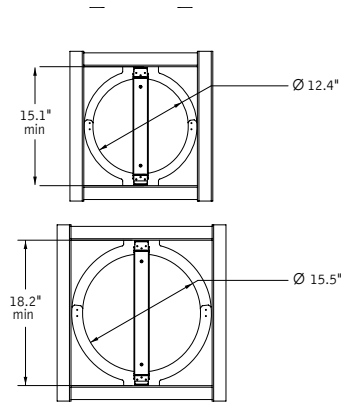
Visit focalpointlights.com for complete photometric data.

fixture:
project:

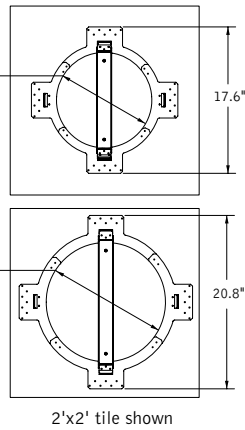
mounting information



Drywall framing dimensions



Tile cut-out dimensions



specifications

construction

Molded plastic inner housing.
One-piece 18 Ga. spun steel outer housing.
Lamps are shielded by opal white, screw-on molded plastic diffuser with clear silicone o-ring seal.
Lamp and ballast are mounted to 20 Ga. reflector.
IP 65 rated.
All luminaires are provided with 18 Ga. galvanized steel rough-in frame.

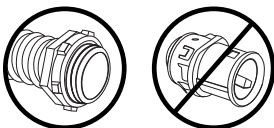
22" Dia. Weight: 15 lbs
17" Dia. Weight: 12 lbs

optic

One-piece 20 Ga. steel reflectors finished in Matte Satin White powder coat.

electrical

Electronic ballasts are thermally protected and have a Class "P" rating.
UL and cUL listed for insulated and non insulated ceiling types.
Requires 1/2" trade size conduit with lock nut style connector, snap-in connectors are not compatible.



finish

Plastic inner housing molded in matte white finish. Outer steel housing finished in Matte Satin White.

ordering

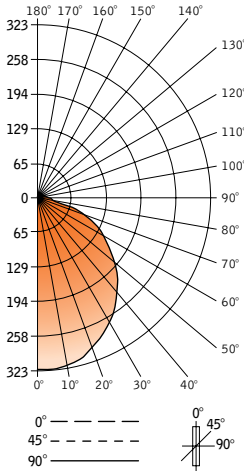
luminaire series		<u>FMN</u>
Mondana	FMN	
mounting		<u>SR</u>
Semi-Recessed	SR	
nominal size		_____
22" diameter (ADA compliant)	22	
17" diameter (ADA compliant)	17	
lamping		_____
22" Diameter		
One Lamp 40W T5 Circular	FC40	
One Lamp 55W T5 Circular	FC55	
(1) 22W & (1) 40W T5 Circular	FC2240	
17" Diameter		
One Lamp 22W T5 Circular	FC22	
voltage		_____
120 Volt	120	
277 Volt	277	
347 Volt	347	
ballast		<u>S</u>
Electronic Program Start <10% THD	S	
factory options		_____
Fusing	FU	
Include 3000K Lamp	L830	
Include 3500K Lamp	L835	
Include 4100K Lamp	L841	
finish		<u>WH</u>
Matte White Housing	WH	

semi-recessed
mondana™



Filename: FMNsR17FC22.IES
Catalog #: FMN-SR-17-FC22-1C-120-S-WH
Efficiency: 62%
Test #: 15378.0

CANDLEPOWER DISTRIBUTION



Spacing 1.2
Criterion: 1.3

Vertical Angle	Horizontal Angle				Zonal Lumens
	0°	22.5°	45°	67.5°	
0°	323	323	323	323	323
5°	324	324	324	323	324
15°	313	314	312	314	315
25°	286	288	289	286	289
35°	254	254	256	253	256
45°	216	216	218	217	217
55°	169	169	171	170	172
65°	126	126	129	130	132
75°	83	85	86	87	88
85°	40	41	41	42	43
90°	32	32	33	34	36
95°	27	26	28	29	30
105°	24	24	24	25	26
115°	20	20	19	21	20
125°	19	18	18	19	17
135°	16	14	14	14	11
145°	13	12	13	12	8
155°	10	10	11	10	5
165°	9	10	10	10	3
175°	9	9	9	9	9
180°	9	9	9	9	9

LUMEN SUMMARY

	Zone Lumens	% Lamp	% Fixt
0°-30°	253	14.1	22.6
0°-90°	997	55.4	89.2
90°-130°	93	5.2	8.3
90°-180°	120	6.7	10.8
Total Luminaire	0°-180° 1117	62.1	100.0

LUMINANCE DATA (CD/M²)

Vertical Angle	0°	45°	90°
45°	1534	1338	1332
55°	1480	1223	1230
65°	1497	1147	1173
75°	1611	1052	1076
85°	2305	845	886

CO-EFFICIENTS OF UTILIZATION

Floor	80			70			20				
Ceiling	70	50	30	10	50	10	50	10	30	10	00
Wall	70	50	30	10	70	50	30	10	65	65	61
RCR 0	72	72	72	72	70	70	70	65	65	61	61
1	66	63	60	57	63	61	56	57	53	53	50
2	60	55	50	47	57	53	46	50	43	46	42
3	55	48	43	39	52	47	38	44	37	41	35
4	50	43	37	33	48	41	32	39	31	37	30
5	46	38	32	28	44	36	27	34	26	32	24
6	42	34	28	24	40	33	24	31	23	29	22
7	39	30	25	21	37	29	21	28	20	26	19
8	36	27	22	18	34	26	18	25	17	24	17
9	33	24	19	16	31	24	15	22	15	21	15
10	30	22	17	14	29	22	14	20	13	19	13

Go to www.focalpointlights.com for additional photometric data.

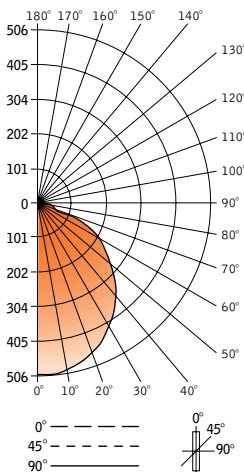
Numbers indicate percentage values of reflectivity.

semi-recessed
mondana™



Filename: FMNSR26FC40.IES
Catalog #: FMN-SR-26-FC40-1C-120-S-WH
Efficiency: 58%
Test #: 15380.0

CANDLEPOWER DISTRIBUTION



Spacing 1.3
Criterion: 1.3

Vertical Angle	Horizontal Angle				Zonal Lumens
	0°	22.5°	45°	67.5°	
0°	504	504	504	504	504
5°	506	505	504	503	502
15°	488	485	483	485	485
25°	452	449	449	449	450
35°	400	399	397	395	398
45°	340	343	334	335	338
55°	271	271	271	269	265
65°	215	214	212	211	211
75°	150	153	145	142	144
85°	85	82	81	79	76
90°	65	62	60	58	56
95°	60	59	54	51	51
105°	58	55	50	49	49
115°	46	45	43	41	42
125°	40	38	38	37	34
135°	36	25	25	24	27
145°	32	32	31	31	20
155°	29	30	30	28	14
165°	25	25	25	26	7
175°	27	26	27	26	3
180°	27	27	27	27	27

LUMEN SUMMARY

	Zone Lumens	% Lamp	% Fixt
0°-30°	394	12.3	21.1
0°-90°	1601	50.0	86.0
90°-130°	192	6.0	10.3
90°-180°	261	8.2	14.0
Total Luminaire	0°-180° 1862	58.2	100.0

LUMINANCE DATA (CD/M²)

Vertical Angle	0°	45°	90°
45°	1600	1332	1348
55°	1572	1250	1223
65°	1693	1204	1198
75°	1928	1115	1107
85°	3245	1011	948

CO-EFFICIENTS OF UTILIZATION

Floor	80			70			20				
Ceiling	70	50	30	10	50	10	50	10	30	10	00
Wall	70	50	30	10	70	50	30	10	65	65	61
RCR 0	67	67	67	67	65	65	65	60	60	56	56
1	61	58	55	53	59	56	51	52	48	48	45
2	55	50	46	43	53	49	42	45	39	42	37
3	50	44	39	36	49	43	35	40	33	37	32
4	46	39	34	30	44	38	29	35	28	33	27
5	42	35	29	25	40	33	25	31	24	29	23
6	39	31	26	22	37	30	21	28	21	26	20
7	36	28	23	19	34	27	19	25	18	24	17
8	33	25	20	16	31	24	16	23	16	21	15
9	30	22	18	14	29	22	14	20	13	19	13
10	28	20	16	13	27	20	12	19	12	17	11

Go to www.focalpointlights.com for additional photometric data.

Numbers indicate percentage values of reflectivity.